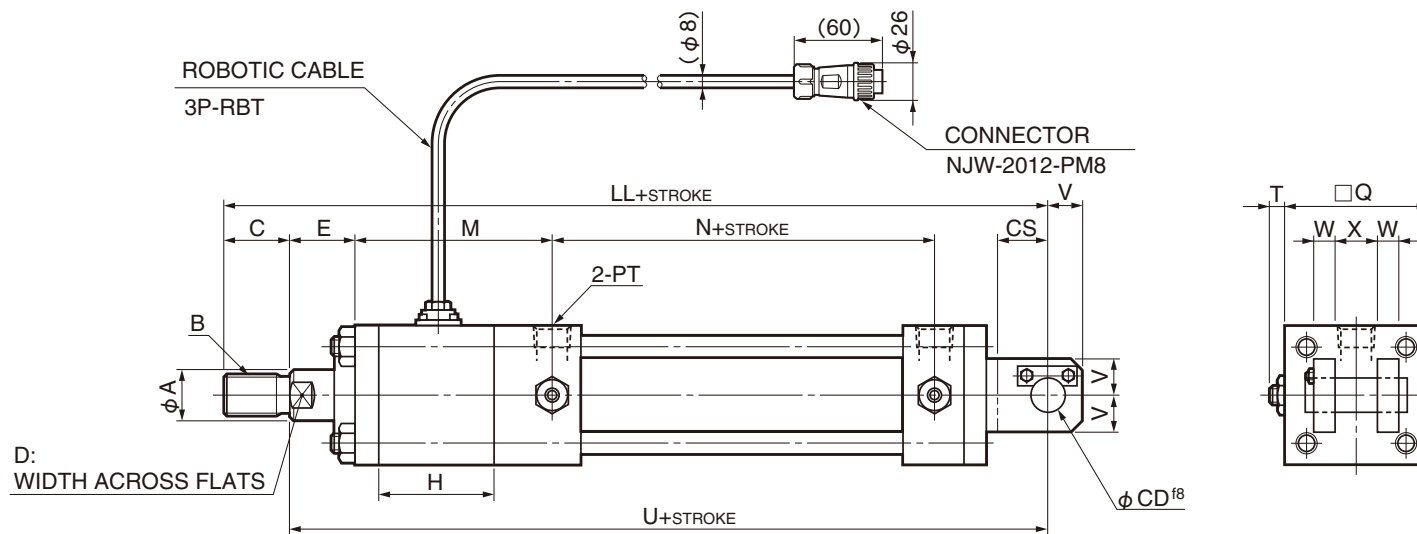


● SCJJ [CB] Clevis/Double



Bore size	Rod code	A	B	C		D	E	H	M	N	Q	PT	T	U	V	W	X	CS	CD	LL	
				Std.	Long															Std.	Long
40	B	22	M20×1.5	30	40	19	30	100	139	88	Rc 3/8	8	309	16	12.5	25 ^{+0.4} _{+0.1}	20	16	339	349	
50	B	28	M24×1.5	35	48	24	30	110	154	96	Rc 1/2	8	340	20	16	31.5 ^{+0.4} _{+0.1}	25	20	375	388	
63	B	36	M30×1.5	45	60	30	35	110	152	104	Rc 1/2	8	371	30	20	40 ^{+0.4} _{+0.1}	40	31.5	416	431	
80	B	45	M39×1.5	60	78	41	35	110	158	118	Rc 3/4	8	401	30	20	40 ^{+0.4} _{+0.1}	40	31.5	461	479	
100	B	56	M48×1.5	75	96	50	40	115	169	120	Rc 3/4	8	431	40	25	50 ^{+0.4} _{+0.1}	50	40	506	527	
125	B	70	M64×2.0	95	128	65	45	120	183	134	Rc 1	9	485	50	31.5	63 ^{+0.4} _{+0.1}	62	50	580	613	
140	B	80	M72×2.0	110	128	75	50	120	185	142	Rc 1	9	520	65	40	80 ^{+0.6} _{+0.1}	79	63	630	648	
160	B	90	M80×2.0	120	140	85	55	120	186	158	Rc 1	7.5	565	75	40	80 ^{+0.6} _{+0.1}	89	71	685	705	