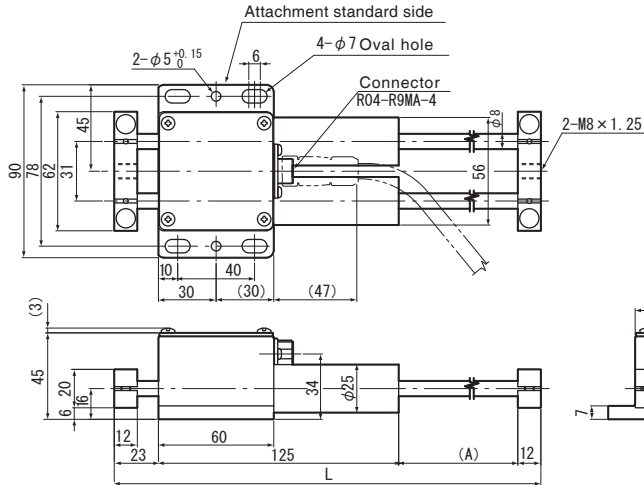


Units: mm

● VLS-1024PYB



Sensor model	Max. detection stroke	L	(A)
VLS-1024PYB	1024	1194	1034
VLS-1024PY800B	800	970	810
VLS-1024PY600B	600	770	610
VLS-1024PY512B	512	682	522
VLS-1024PY350B	350	520	360
VLS-1024PY220B	220	390	230