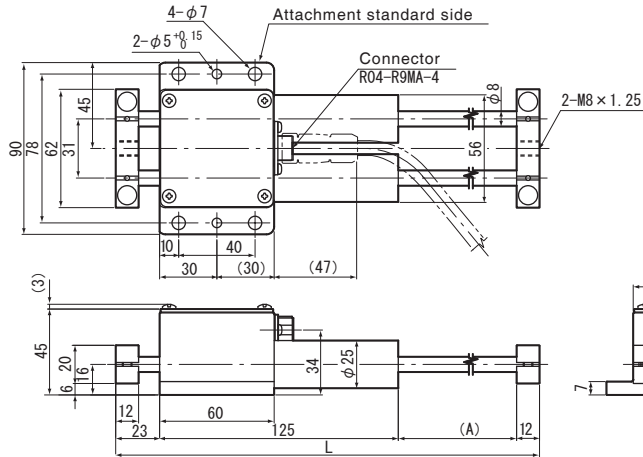


Units: mm

● VLS-512PWB



| Sensor model | Max. detection stroke | L | (A) |
|---------------|-----------------------|-----|-----|
| VLS-512PWB | 512 | 682 | 522 |
| VLS-512PW400B | 400 | 570 | 410 |
| VLS-512PW350B | 350 | 520 | 360 |
| VLS-512PW220B | 220 | 390 | 230 |
| VLS-512PW200B | 200 | 370 | 210 |