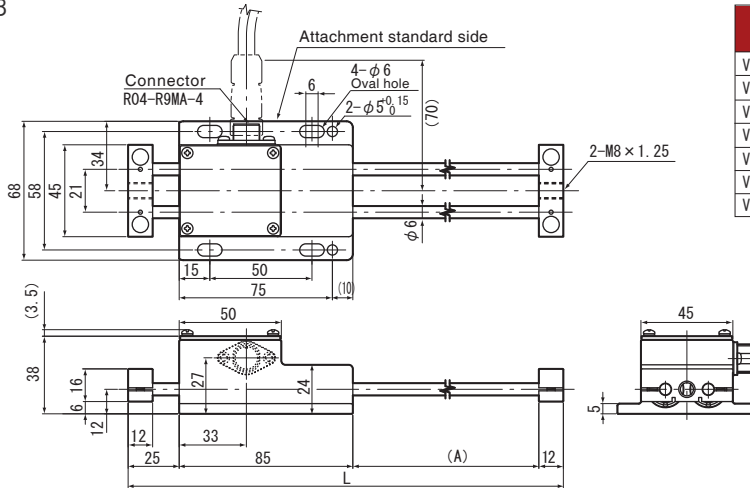


Units: mm

● VLS-512PYB



| Sensor model | Max. detection stroke | L | (A) |
|---------------|-----------------------|-----|-----|
| VLS-512PYB | 512 | 652 | 530 |
| VLS-512PY350B | 350 | 490 | 368 |
| VLS-512PY256B | 256 | 396 | 274 |
| VLS-512PY150B | 150 | 290 | 168 |
| VLS-512PY110B | 110 | 250 | 128 |
| VLS-512PY70B | 70 | 210 | 88 |
| VLS-512PY58B | 58 | 198 | 76 |