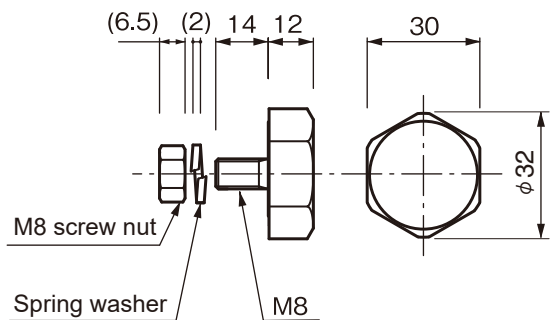
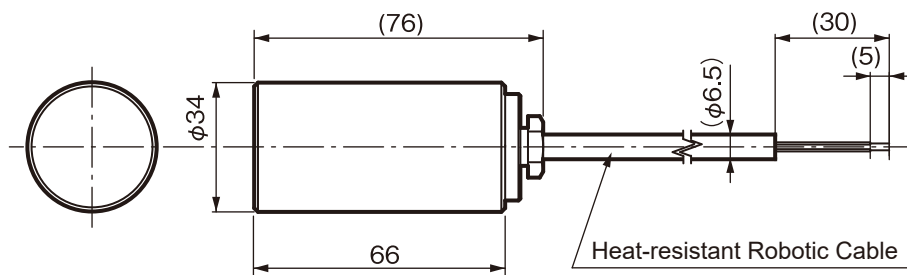


● $\Phi 34$ Cylinder type of sensor

HPM-34 (Magnet)

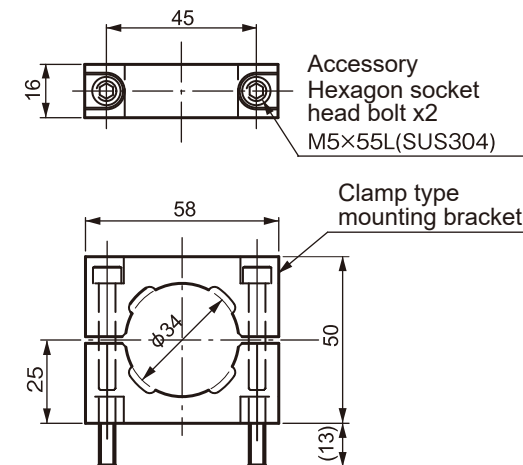


HPS-M34D-5 (Cylindrical type of sensor)



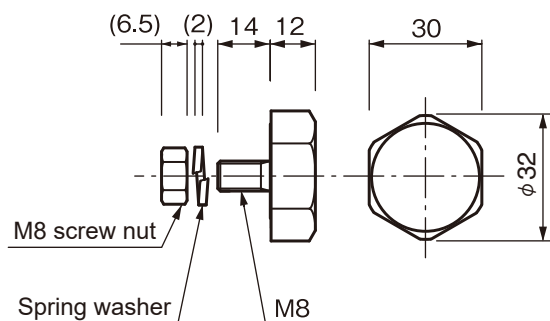
Option

M34K (Clamp type mounting bracket)

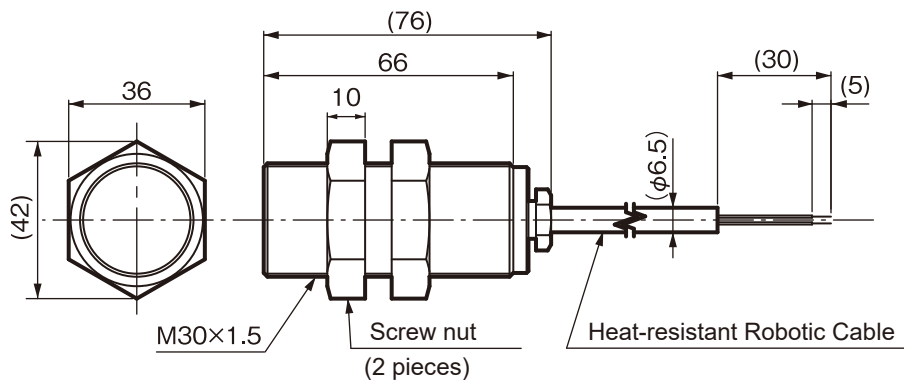


● M30 Threaded type of sensor

HPM-34 (Magnet)



HPS-M30M-5 (Threaded type of sensor)



Option

M30L (L type mounting bracket)

