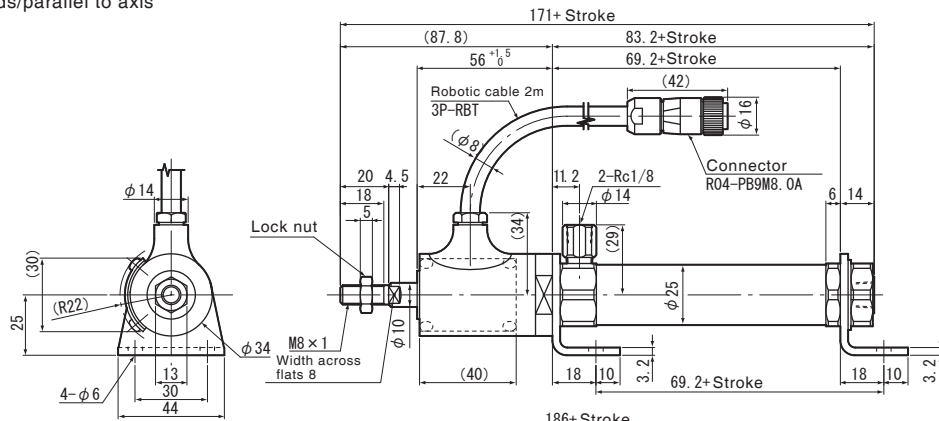


[LB] Foot both ends/parallel to axis

CSA-20 × □-LB



CSA-40 × □-LB

