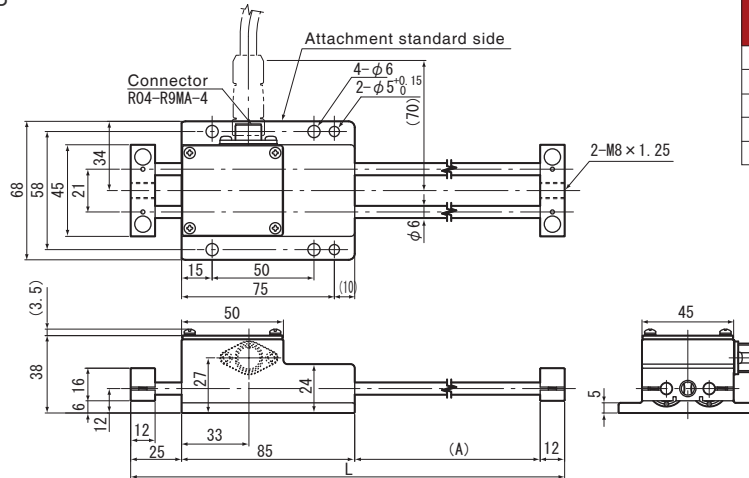


Units: mm

● VLS-256PWB



Sensor model	Max. detection stroke	L	(A)
VLS-256PWB	256	396	274
VLS-256PW200B	200	340	218
VLS-256PW128B	128	268	146
VLS-256PW100B	100	240	118
VLS-256PW58B	58	198	76