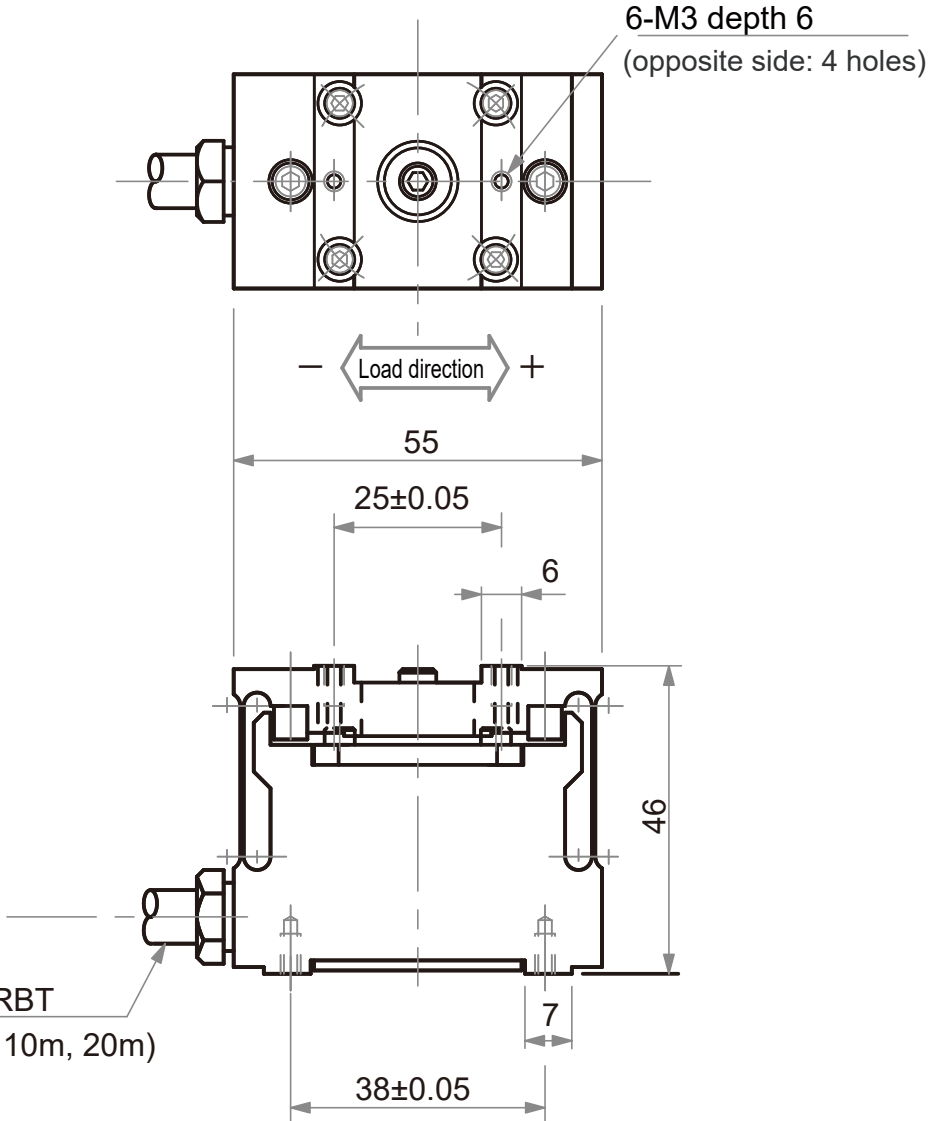
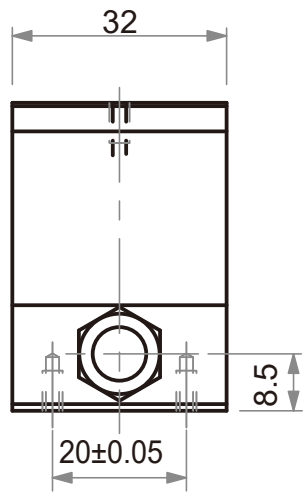


●TMS-ST002[ ]

Note: In the factory setting mode, the amplifier output value will increase when the load is applied in the "+" direction of the double arrow sign.



Robotic cable 3P-RBT  
Standard 2m (5m, 10m, 20m)