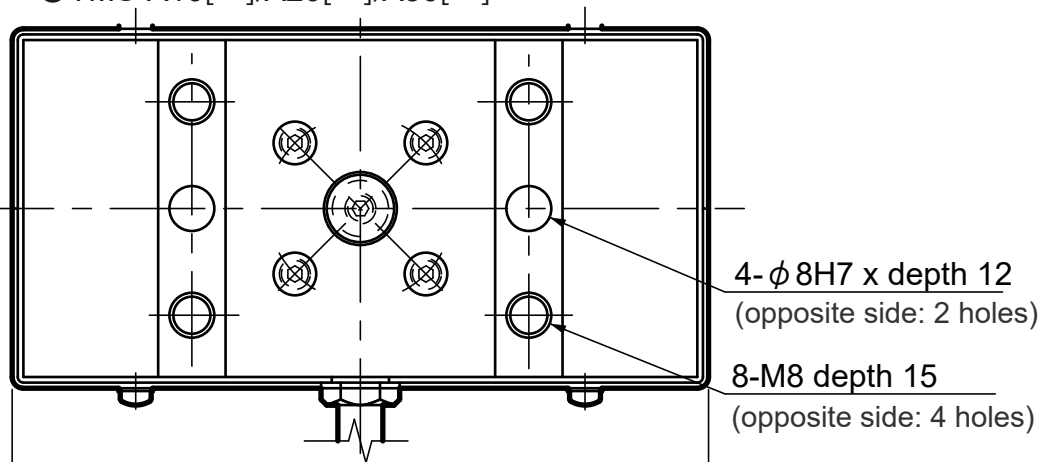


Units: mm

●TMS-A10[]/A20[]/A50[]



Note: In the factory setting mode, the amplifier output value will increase when the load is applied in the "+" direction of the double arrow sign.

