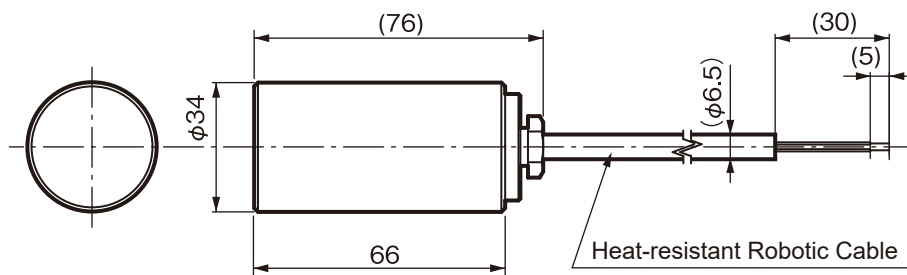
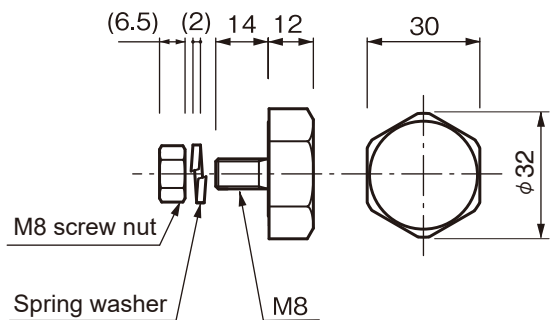


● $\Phi 34$ Cylinder type of sensor

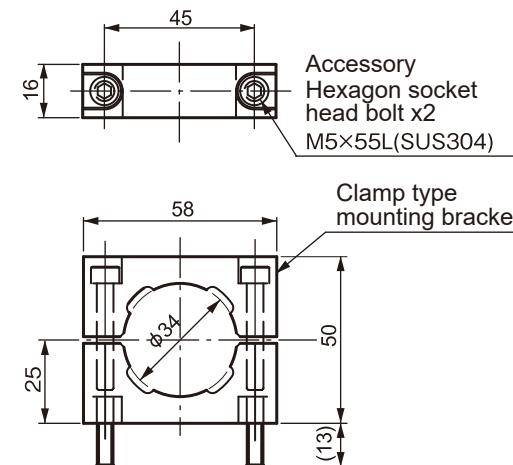
HPM-34 (Magnet)

HPS-M34D (Cylindrical type of sensor)



Option

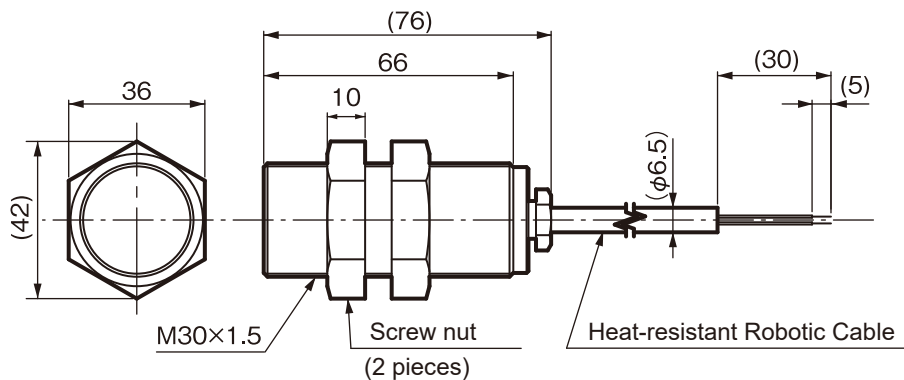
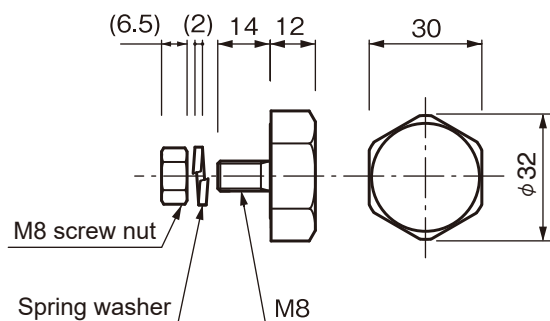
M34K (Clamp type mounting bracket)



● M30 Threaded type of sensor

HPM-34 (Magnet)

HPS-M30M (Threaded type of sensor)



Option

M30L (L type mounting bracket)

