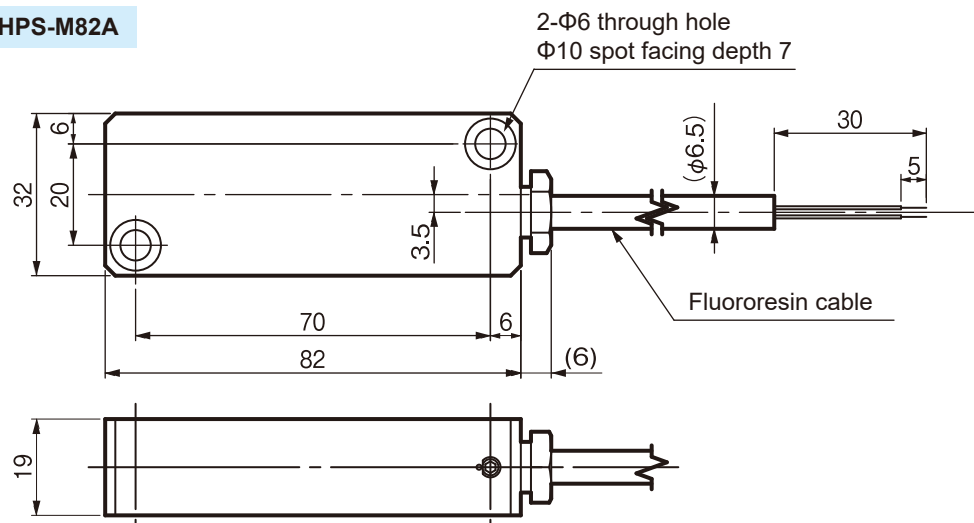


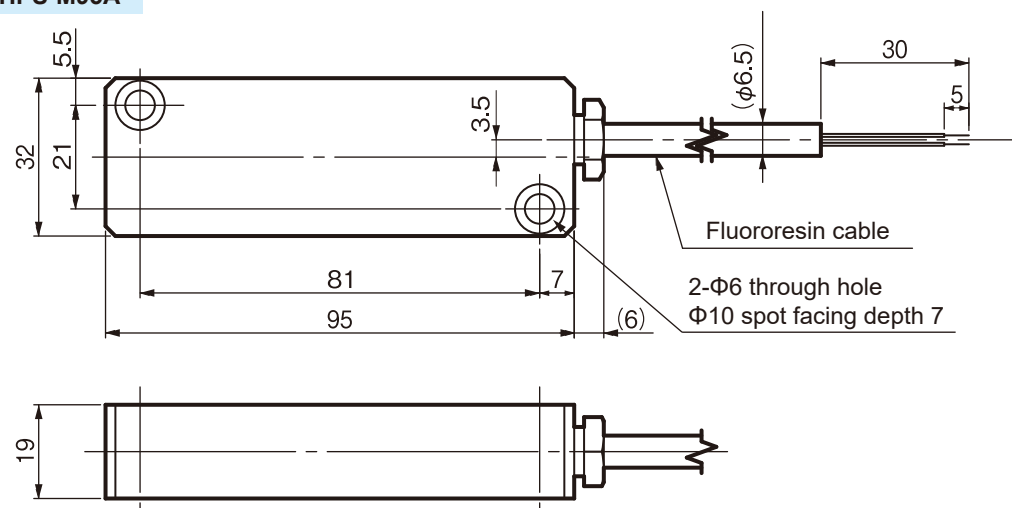
● D82 Block type of sensor

HPS-M82A



● D95 Block type of sensor

HPS-M95A



HPM-116 (Magnet)

